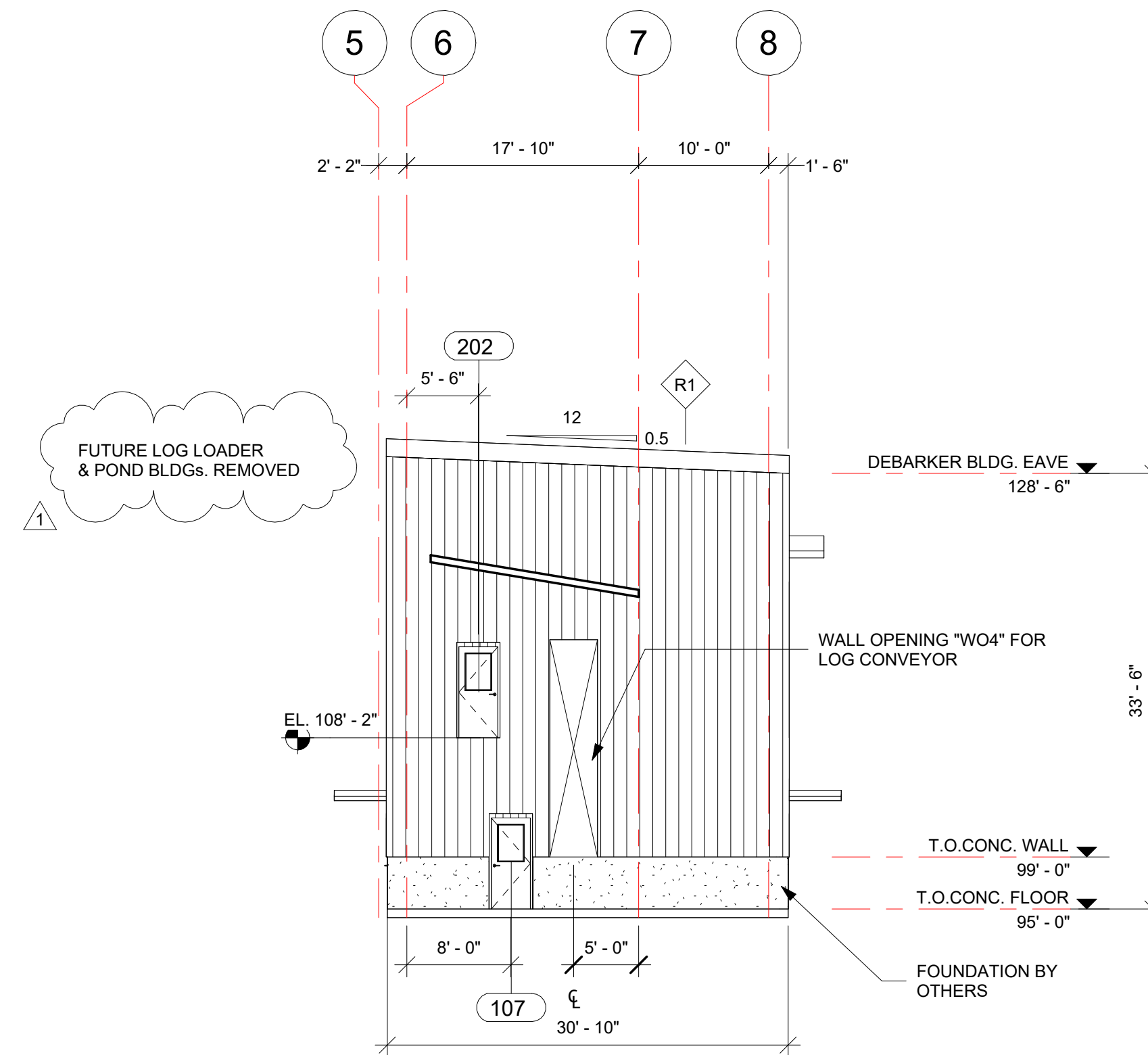
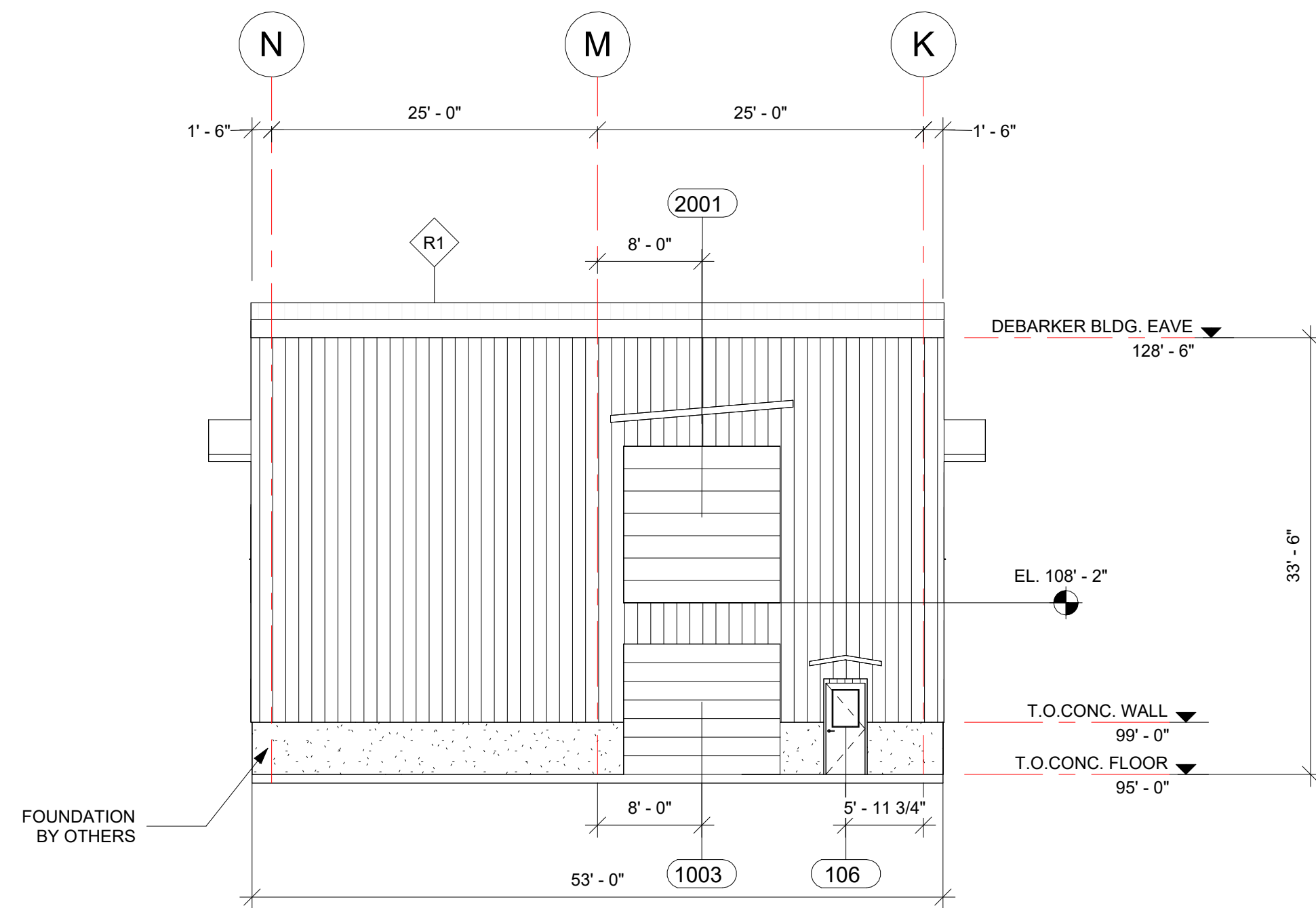


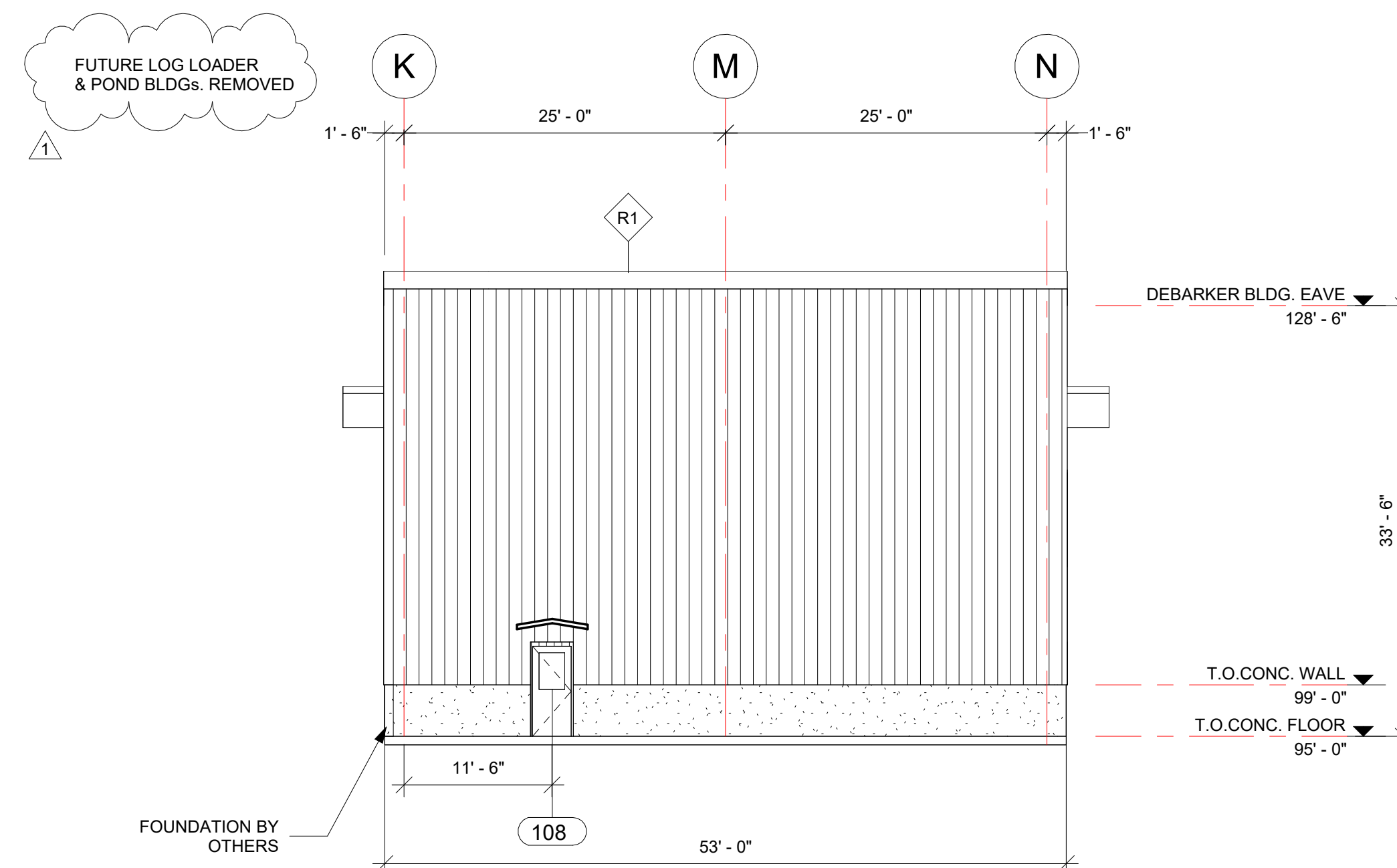
NORTH VIEW-DEBARKER BLDG.
SCALE: 1" = 10'-0"



SOUTH VIEW-DEBARKER BLDG.
SCALE: 1" = 10'-0"



EAST VIEW-DEBARKER BLDG.
SCALE: 1" = 10'-0"



WEST VIEW-DEBARKER BLDG.
SCALE: 1" = 10'-0"

NOTES: REFER TO DRAWING 100 FOR GENERAL NOTES.

| No. | DATE YYYY/MM/DD | ISSUED BY | DESCRIPTION |
|-----|-----------------|-----------|--|
| 1 | 2025/02/13 | MT | FUTURE LOG LOADER & POND BUILDINGS REMOVED; DOOR 109 & 203 ADDED |
| 0 | 2025/01/08 | MT | ISSUED FOR CONSTRUCTION |

CMA
engineering Inc.

60 WILSON AVE., SUITE 101
TIMMINS, ON, CANADA, P4N 2S7
TEL: 705-360-5525
EMAIL: cma@cmaeng.com
www.cmaeng.com

CONSULTANT

DAIKEN

61 DOMITAR RD, HUNTSVILLE, ON, CANADA, P1H 2J7, TEL. 705-789-9683

DAIKEN

CLIENT

HUNTSVILLE

STATUS:
CONSTRUCTION

THIS DRAWING IS THE PROPERTY OF CMA ENGINEERING INC. AND SHALL ONLY BE USED FOR THE SPECIFIC PROJECT IDENTIFIED ON THE DRAWING. NO REVISIONS SHALL BE MADE WITHOUT THE EXPRESS WRITTEN CONSENT OF CMA ENGINEERING INC.

CHECKED BY:
F. PUGLIESE
DRAWN BY:
M. TANVEER
DATE DRAWN:
2024/10/04
SCALE:
1" = 10'-0"

Size
D

DFP PROJECT
BUILDING SYSTEM
DEBARKER BLDG. ELEVATIONS

DA-HV-300-R-C305-C-0103

DRAWING NUMBER

REV.

1