

4

3

2

1

D

D

C

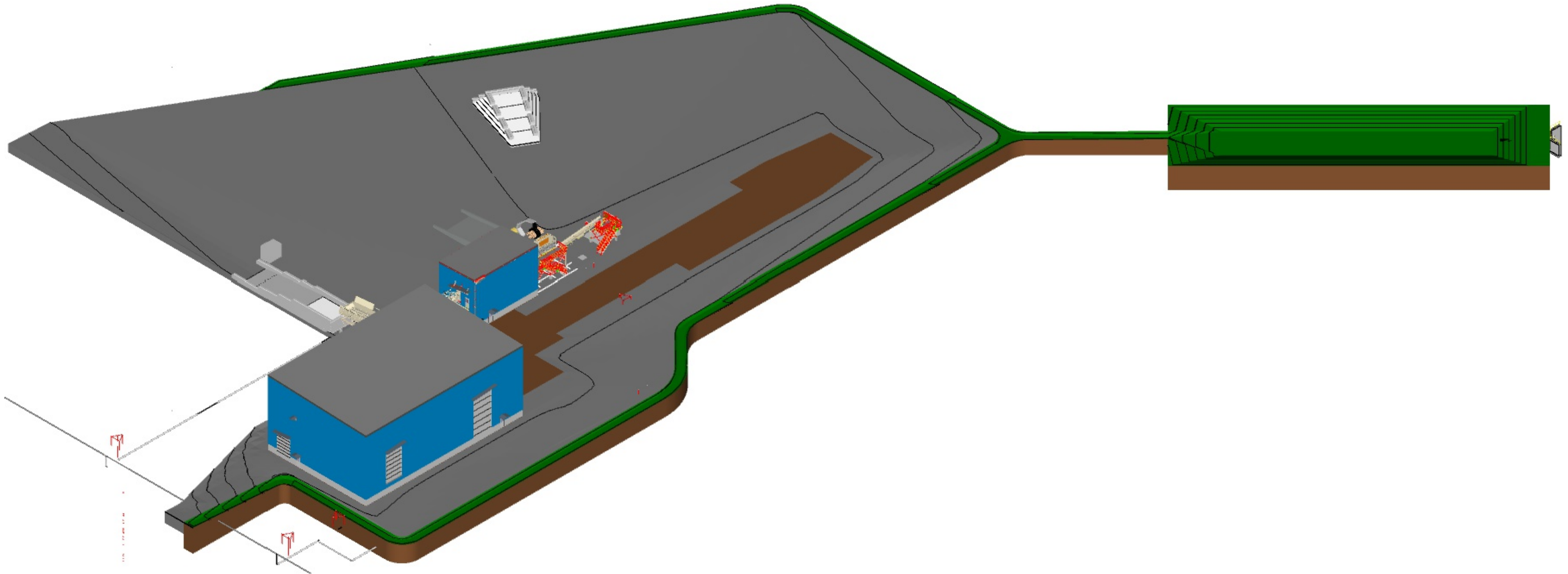
C

B


B

A

A



AREA RENDERING DRAWING- NE VIEW

APPROVED			 DAIKEN North America Ltd.	
CHECKED BY			AREA DIAKEN-TS	
DRAWN BY		Hayden Burgess	TITLE EXPANSION RENDERED DRAWING-NE	
		2/14/2025	MATERIAL ---	
			SCALE	NTS
			SHEET	1/2
			SIZE	C
			REV.	

4

3

2

1

4

3

2

1

D

D

C

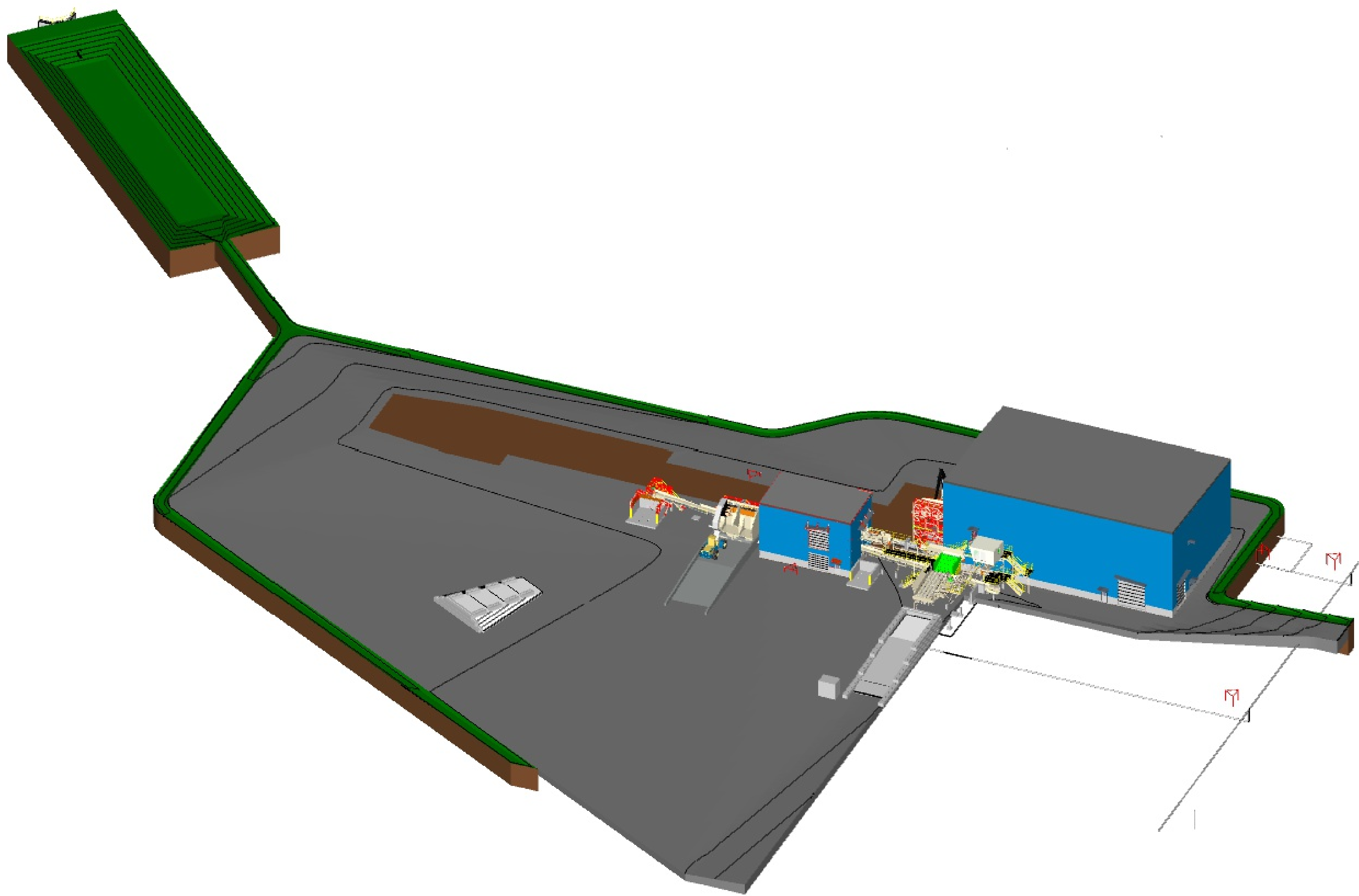
C

B

B

A

A



AREA RENDERING DRAWING- NW VIEW

Unspecified Tolerances	
0" ± 0.0625"	0mm ± 1mm
0.00" ± 0.02"	0.0mm ± 0.5mm
0.000" ± 0.005"	0.00mm ± 0.2mm
∅ ± 0.003"	
Angle ± 1°	



AREA DIAKEN-TS		
TITLE EXPANSION RENDERED DRAWING-NW		
MATERIAL ####	SIZE C	REV. #
SCALE	SHEET	2/2

APPROVED		
CHECKED BY		
DRAWN BY	Hayden Burgess	2/14/2025